



MATERIALS

Anchor Stitchable Felt™ Sheets:

1 yellow, 1 green, 1 red, 1 hot pink, 1 orange

Anchor Stranded Cotton Embroidery Floss:

111 purple, 314 orange, 169 blue, 186 turquoise, 26 pink, 132 blue, 160 lt. blue, 1090 blue, 215 green

Coats & Clark Dual Duty XP® All-purpose thread

Susan Bates Embroidery Hoop, 8"

Large-eye tapestry needle

Scissors

¾ yard of (.69 meters) of 1½" (3.81 cm) wide wired ribbon

⊗ CROSS STITCH | SKILL LEVEL: **EASY**

Featuring Anchor Stitchable Felt™

The seven-holes-to-an-inch perforated felt is great for creative cross-stitch projects. Make a hoop of flowers to bring a bit of spring into the life!

CUTTING

Following the cutting diagram on pages 3-4, cut out the flower and leaf shapes.



the layers together.



STITCHING

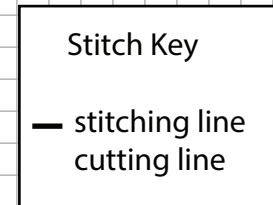
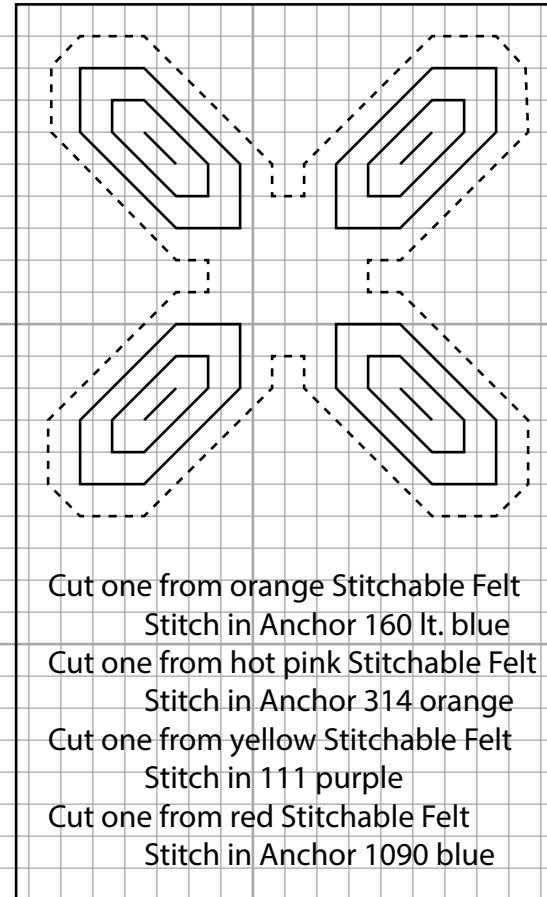
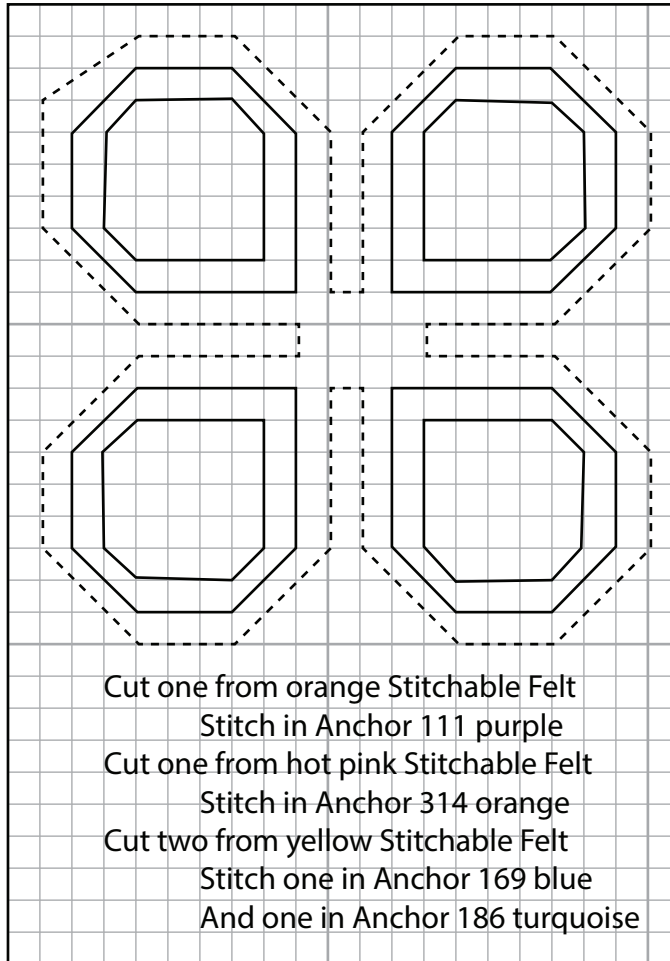
1. Following the diagram, stitch the flowers and leaves.
2. After the flowers are complete, with the center color threaded on the needle, stack the flowers and stitch through the center four squares securing

3. Using regular sewing thread, stitch the leaves to the back of the flowers. Here, three leaves are stitched on three of the flowers, and one leaf on the fourth flower.



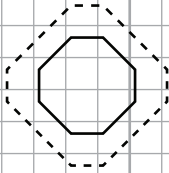
4. Thread the tapestry needle with embroidery floss and stitch the flowers to the hoop. Stitch the three flowers with three leaves to the outer hoop. Then put the inner and outer hoops together and stitch the fourth flower with only one leaf in place.
5. Add a bow of wired ribbon at the top and the hoop of flowers is complete!



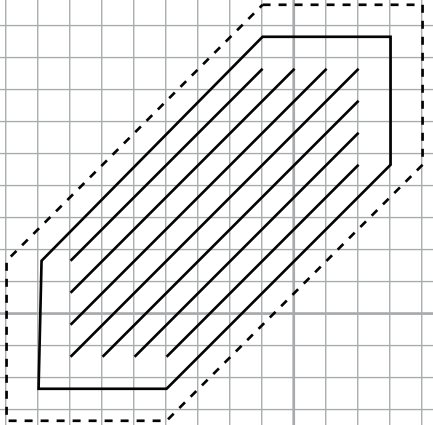


This square should measure 1" x 1" (2.54cm x 2.54cm) when printed.

***** Measure templates before cutting to confirm printing at 100%*****



Cut one from orange Stitchable Felt
Stitch in Anchor 111 purple
Cut one from hot pink Stitchable Felt
Stitch in Anchor 26 pink
Cut one from yellow Stitchable Felt
Stitch in Anchor 111 purple
Cut one from red Stitchable Felt
Stitch in Anchor 132 blue



Cut 10 from green Stitchable Felt
Stitch in Anchor 215 green

Stitch Key

- stitching line
- - - cutting line

This square should measure 1" x 1" (2.54cm x 2.54cm) when printed.

***** Measure templates before cutting to confirm printing at 100%*****